



CX-POLE-G32 Pole Mount

Installation Guide

1. Product Overview

This guide explains how to use this kit and the CM-CAPX-W32 Wall Mount to mount an Ariel™ Mini-Dome CM-3202-11-I camera on a pole.

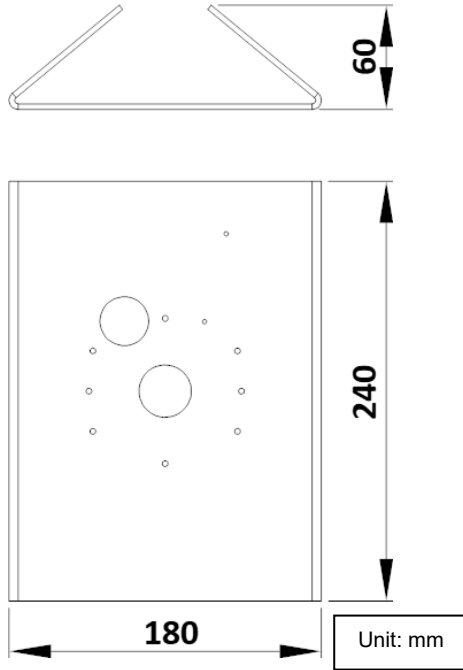


FIGURE 1-1: DIMENSIONS

Package Contents

Check if everything in the package matches your purchase order form and packing slip. The package should include the following items:

- 1x pole mount bracket
- 2x adjustable metal straps
- 2x flat head screws for metal straps
- 1x safety wire screw
- 1x this printed installation guide

Prior to installation, make sure none of the parts are damaged. If any item is missing or damaged, contact your dealer.

Related Documentation

- *CM-CAPX-W2 Installation Guide*
- *CM-3202-11-I Quick Install Guide*
- *CM-3202-11-I Installation and User Guide*

Required Tools

- Screwdrivers
- Wire cutters

Warning

For outdoor installations, to avoid injury or property damage from a camera accidentally falling from the pole mount: Use the screw hole on the pole mount bracket, as shown in **FIGURE 2-2: ATTACH KIT TO POLE**, to connect a safety wire from the bracket to the camera.

2. Installation

Assemble and install the pole mount kit

1. Thread the two metal straps through the four holes on the pole mount bracket, as shown. Do not close the straps.

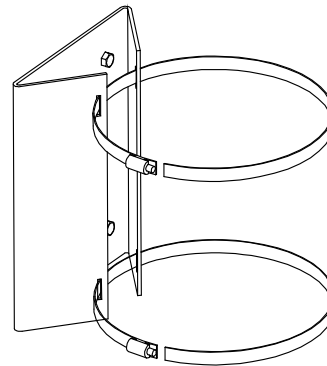


FIGURE 2-1: THREAD STRAPS THROUGH BRACKET

2. Wrap the straps around the target pole, insert one end of each strap into the other end, and then adjust the straps to the desired position on the pole.
3. Use a flat head screwdriver and the two supplied flat head screws to tighten the straps and firmly attach the pole mount bracket to the pole.

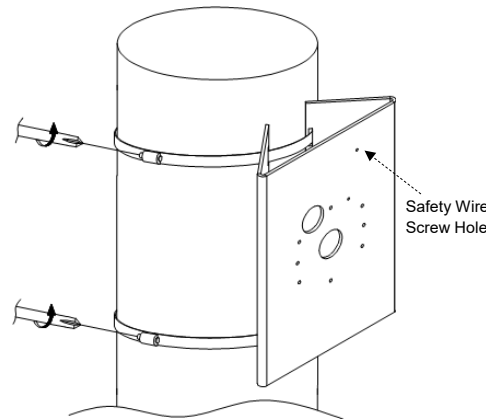


FIGURE 2-2: ATTACH KIT TO POLE

Attach CM-CAPX-W32 to CX-POLE-G32

1. Assemble the wall mount kit according to the instructions in the *CM-CAPX-W32 Installation Guide*.
2. Thread the four hex bolts supplied with the CM-CAPX-W32 kit through the pole mount bracket and the wall mount bracket, from the back to the front.

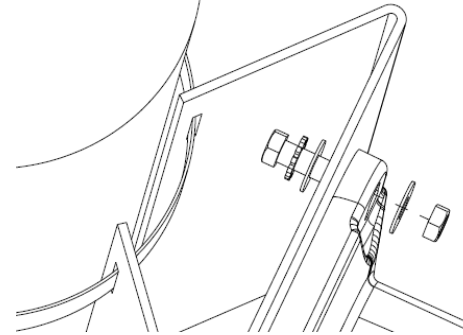


FIGURE 3-1: THREAD THE HEX BOLTS

3. Using the hexagonal wrench and the four hex nuts supplied with the CM-CAPX-W32 kit, firmly secure the wall mount bracket to the wall by turning the nuts clockwise until they are tight.

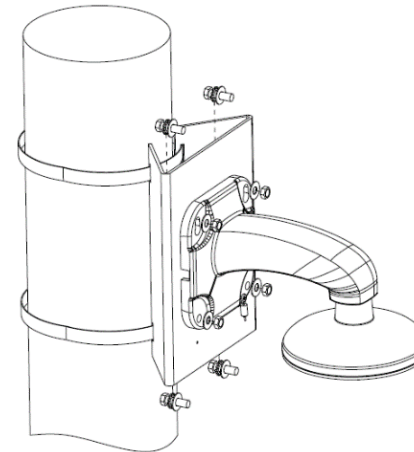


FIGURE 3-2: ATTACH WALL MOUNT TO POLE MOUNT

4. With the camera cover removed, route the camera's system cable through the mounting hardware.
5. Connect, mount, and aim the camera according to the instructions in the camera's documentation.

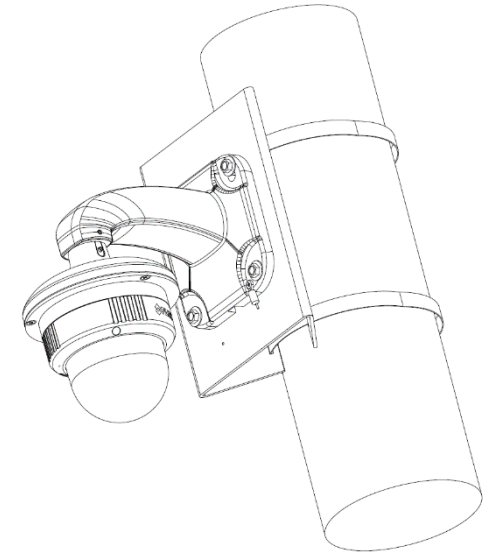


FIGURE 3-3: COMPLETED INSTALLATION

3. Specifications

Material	Aluminum
Color	White
Dimensions (WxHxD)	179mmx240mmx60mm
Weight (kg)	1.05kg