



CM-4S-42 Adapter Plate for CM-3202-11- I Camera

Installation Guide

1. Product Overview

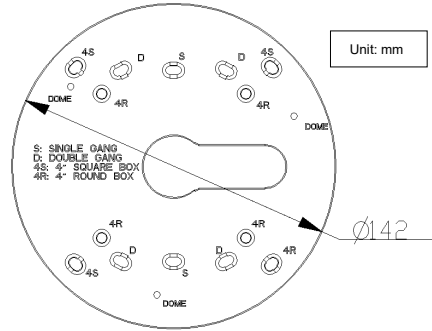


FIGURE 1-1: ADAPTER PLATE DIMENSIONS

2. Installation and Mounting

Package Contents

Check if everything in the package matches your purchase order form and packing slip. The package should include the following items:

- 1x adapter plate
- 3x M4*8L screws
- 1x Printed quick guide

If any item is missing, contact your dealer.

Required Tools

Use the following tools to complete the installation:

- A drill
- A Phillips head screwdriver
- A T10 Torx wrench
- Wire cutters

- Prior to assembly, mount the adapter plate onto the electrical box, using the Single Gang, Double Gang, 4S, or 4R mounting holes. Use a Phillips screwdriver to tighten the dome camera body onto the adapter plate by fastening the three supplied M4*8L screws.

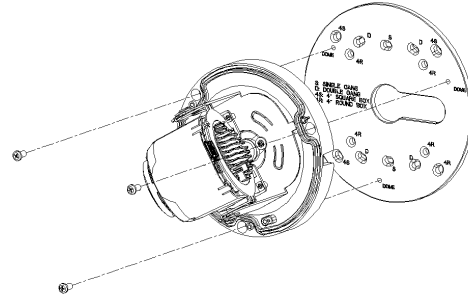


FIGURE 2-1: FASTEN CAMERA TO ADAPTER PLATE

- The dome camera body is mounted onto the site surface with the adaptor plate as illustrated below.

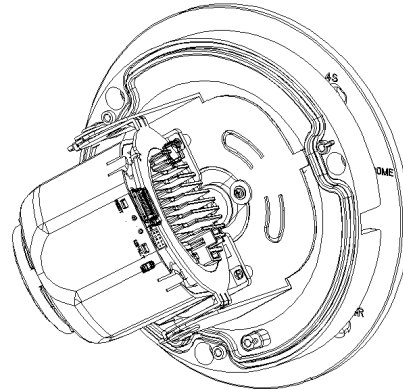


FIGURE 2-3: ADAPTER PLATE ATTACHED TO CAMERA BODY

- Gently attach the top cover to the dome camera body. Then, use the T10 Torx wrench to tighten the screws inside each niche of the cover.

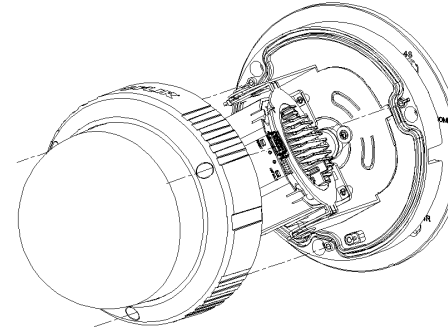


FIGURE 2-4: ATTACH DOME COVER TO CAMERA BODY

- The assembled dome camera is mounted onto the site surface with the adaptor plate as illustrated below.

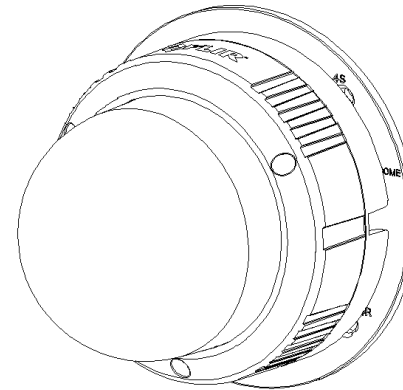


FIGURE 2-5: COMPLETED ASSEMBLY

3. Specifications

Material	Aluminum
Color	White
Dimensions	Diameter 142mm (5.6") x thickness 5mm (0.2")
Weight	188 g (6.6 oz.)