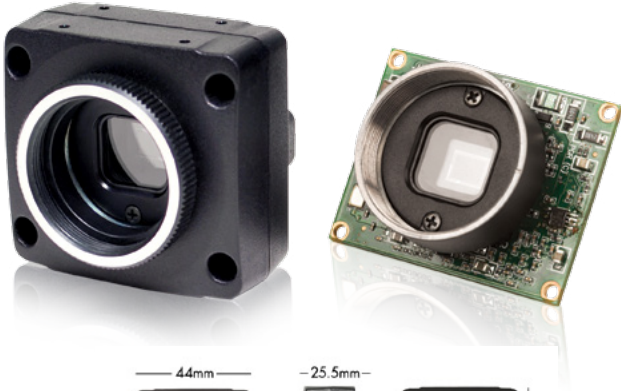


FLIR CHAMELEON[®]

P/N: CMLN-13Y3C, USB 2.0



1.3 MP CCD + USB INTERFACE + COMPACT

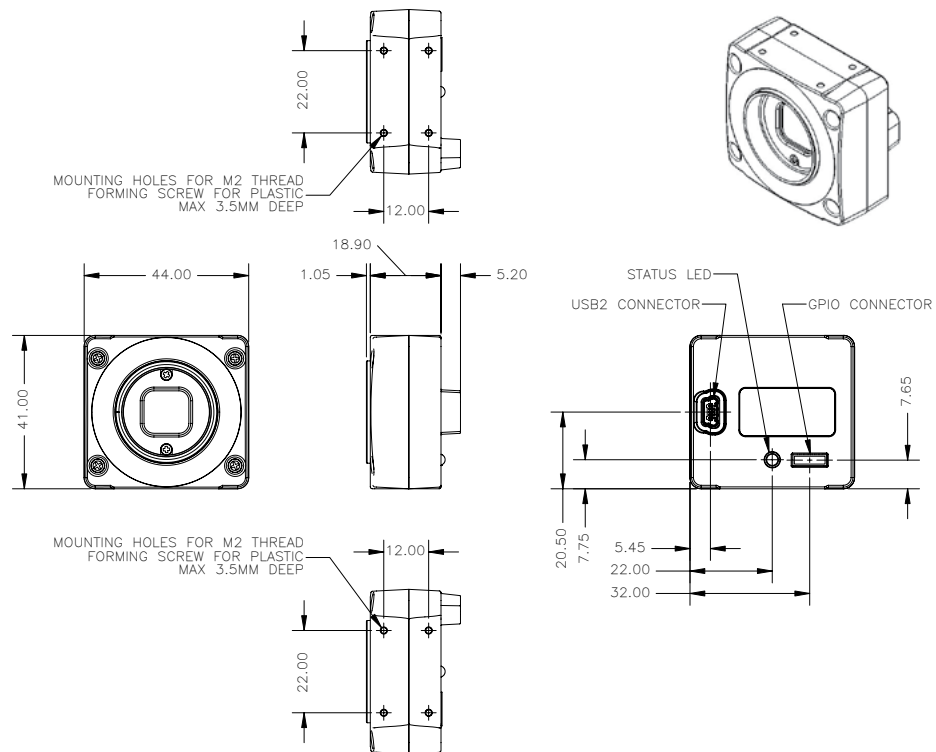
A high sensitivity Sony EXview HAD CCD[®] sensor, combined with a high-speed USB 2.0 digital interface, makes the Chameleon an ideal choice for demanding imaging applications such as object and gesture tracking, test and measurement, life and bioscience, augmented reality, multitouch display, security and biometrics, and robot guidance.

KEY FEATURES

- High quality 1.3 MP Sony EXview HAD CCD
- Compact and lightweight
- GPIO for trigger and strobe



USB 2.0



Specifications

MODEL	VERSION	MP	IMAGING SENSOR
CMLN-13S2M-CS	Mono	1.3 MP	<ul style="list-style-type: none"> ■ Sony ICX445 CCD, 1/3", 3.75 μm ■ Global Shutter ■ 1296x964 at 18 FPS
A/D Converter	12-bit		
Image Data Output	8-bit and 16-bit digital data		
Image Data Formats	Y8, Y16 (monochrome), 8-bit and 16-bit Raw Bayer data (color)		
Partial Image Modes	Pixel binning and region of interest (ROI) modes		
Image Processing	Color/Greyscale conversion, gamma, lookup table, white balance		
Gain	Automatic/Manual/One-Push Gain modes 0 dB to 24 dB		
Gamma	0.50 to 4.00		
White Balance	Automatic/manual modes, programmable via software		
Digital Interface	5-pin Mini-B USB2.0 digital interface for camera control, video data transmission, and power		
Transfer Rates	480 Mbit/s		
GPIO	7-pin JST GPIO connector, 4 pins for trigger and strobe, 1 pin +3.3 V, 1 VEXT pin for external power		
External Trigger Modes	IIDC Trigger Modes 0, 1, 3, and 14		
Synchronization	Via external trigger or software trigger		
Shutter	Global Shutter Automatic/Manual/One-Push/Extended Shutter modes 0.01 ms to >10 seconds (extended shutter mode)		
Image Buffer	32 MB frame buffer		
Memory Channels	3 memory channels for custom camera settings		
Flash Memory	256 KB		
Dimensions	25.5 mm x 44 mm x 41 mm (excluding lens holder and connectors)		
Mass	37 grams (without optics or tripod mounting bracket)		
Power Consumption	2 W, 4.745 to 5.25 V via Mini-B USB 2.0 interface or JST 7-pin GPIO connector		
Camera Specification	IIDC v1.31		
Camera Control	via FlyCapture SDK, CSRs, or third party software		
Camera Updates	In-field firmware updates		
Lens Mount	CS-mount (5 mm C-mount adapter included)		
Temperature	Operating: 0° to 45°C; Storage: -30° to 60°C		
Emissions Compliance	CE, FCC, RoHS		
Operating System	Windows XP SP1		
Warranty	One year		

FLIR Integrated Imaging Solutions

CANADA

12051 Riverside Way
Richmond, BC, Canada
V6W 1K7
T: +1 866.765.0827 (toll free)
T: +1 604.242.9937
F: +1 604.242.9938
E: mv-sales@flir.com
www.flir.com/iis

USA

T: +1 866.765.0827 (toll free)
E: mv-na-sales@ptgrey.com

EUROPE

T: +49 7141 488817-0
F: +49 7141 488817-99
E: mv-eusales@flir.com

CHINA

T: +86 10 8215 9938
F: +86 10 8215 9936
E: mv-chinasales@flir.com

ASIA

E: mv-asiasales@ptgrey.com

DISTRIBUTORS

JAPAN

ViewPLUS Inc. (www.viewplus.co.jp)

KOREA

CYLOD Co., Ltd. (www.cylod.com)

CHINA

LUSTER LightVision (www.lusterinc.com)

SINGAPORE, THAILAND, MALAYSIA

Voltrium Systems (www.voltrium.com.sg)

TAIWAN

Apo Star Co., Ltd. (www.apostar.com.tw)

UNITED KINGDOM AND IRELAND

ClearView Imaging (www.clearviewimaging.co.uk)

©2017 FLIR® Integrated Imaging Solutions Inc. All rights reserved. Names and marks appearing on the products herein are either registered trademarks or trademarks of FLIR® Systems, Inc. and/or its subsidiaries.