

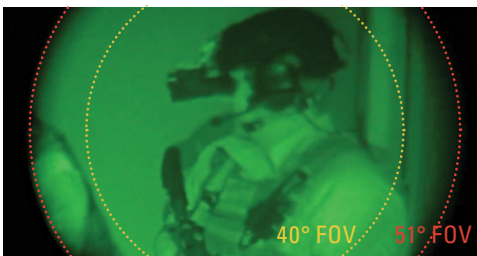


MULTI-PURPOSE NIGHT VISION MONOCULAR

FLIR MNVD-51[®]

The by FLIR MNVD is a multi-purpose night vision monocular. It can be hand held, head mounted, helmet mounted, or weapon mounted. With a 51° field of view (FOV), it provides a large visual field without needing to move the monocular. The MNVD uses advanced multi-coated optics and is built to last with a compact composite housing. Operating from a single AA alkaline battery or CR123A battery, the MNVD can run up to 40 hours.

www.flir.com



EXCEPTIONAL VISION

Exceptional Field of View (FOV) and built-in infrared illuminator

- With a 51° field of view (FOV), the MNVD provides a large visual field without needing to move the monocular, and makes it easier to track moving objects.
- Built-in IR illuminator and flood lens enhances night vision and allows for reading in the dark.



COMPACT AND RUGGED

Perfect balance of size and performance

- Built with a tough, ergonomic composite housing.
- Needing only a single AA battery or one CR123 battery for convenient operation, can run up to 40 hours.



FLEXIBLE MOUNTING OPTIONS

Packed with features for a versatile and customizable viewing experience

- For hands-free operation, the MNVD includes head and helmet mounting options, it can be used as a night vision system that enables mobility, driving, short-range surveillance, and low light reading.
- Operated by a single gain control knob, the MNVD utilizes features like a flip-up-turn-off, and a flip-down-turn-back-on option when mounted to a helmet.

SPECIFICATIONS

General	
Image intensifier tube	Gen 2+ or Gen 3
Magnification	1x (3x and 5x optional)
Lens system	19 mm; F/1.26
FOV	51°
Focus range	0.25m to Infinity
Eye relief	17 mm
Diopter adjustment	-6 to +2 dpt
User Interface	
Operation knob	Power ON/ OFF; manual gain control
IR button	IR illuminator ON/OFF
Diopter adjustment ring	Adjusts the eyepiece diopter
Focus ring	Adjusts the objective lens focus
LED indicators	Indicates low battery, IR on, and excessive light conditions
Features	
Manual gain control	Yes
Bright light cut-off	Yes
Automatic shut-off system	Yes
Low battery indicator	Yes
Infrared illuminator	Yes
Power	
Battery type	One CR123A (3V) or AA (1.5 V)
Battery life (operating)	Up to 40 hours at 20°C
Environmental	
Operating temperature range	-40°C to +50°C (-40°F to +122°F)
Storage temperature range	-50°C to +50°C (-58°F to +122°F)
Physical	
Weight	0.31 kg (0.7 lbs)
Overall dimensions	160 × 54 × 79 mm (6.3 × 2.1 × 3.1 in)
Dimensions (without eyecup and lens cap)	110 × 49 × 73 mm (4.3 × 1.9 × 2.8 in)
Color (housing)	Black
Country of origin	USA

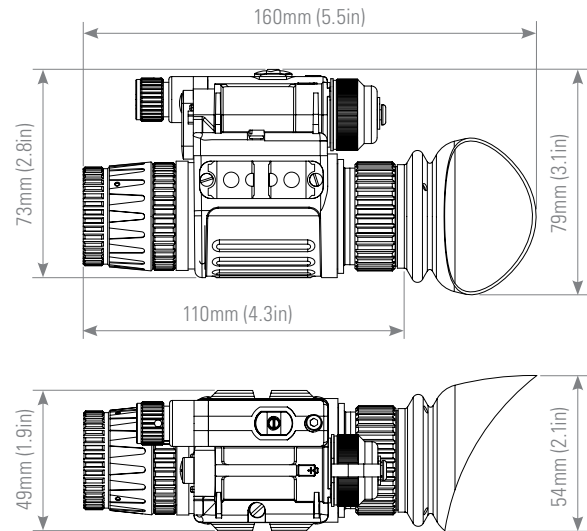
Specifications are subject to change without notice.
For the most up-to-date specs, go to www.flir.com

Package Includes

Night Vision Monocular, Lens Cloth, Soft Carrying Case

Optional Accessories

ANHG000004 – Goggle Kit #2
 ANHG000002 – Swing Arm #37 - Mini Rail Adapter to Bayonet Mount
 ANHM000172 – Swing Arm #172 - Mini Rail to Dovetail Adapter
 ANHM000188 – Dual Bridge #188 with individual side Flip-Up Mechanism
 ANAF3X0229 – 3x Afocal Lens with Adapter #229
 ANAF5X0229 – 5x Afocal Lens with Adapter #229
 ANAMRF0003 – ARFS3 - Advanced Range-Finding Stadia for 3x Afocal Lens
 ANAMRF0005 – ARFS5 - Advanced Range-Finding Stadia for 5x Afocal Lens
 ANEC000001 – Shutter Eyeguard #82
 ANAM000004 – QRM - Quick-Release Weapon Mount #26/ #142
 ANAM000045 – Extended Rail Adapter #85 - Dovetail Weaver Picatinny Rail Adapter
 ANAM000001 – Scope Adapter Mount #6 - Allows NV Monocular to be mounted behind standard daytime optics for nighttime use
 ANLC000134 – Demist Shield #134
 ANLC000228 – Sacrificial Window #228
 ANRA000001 – Dovetail #21 - Weaver Transfer Piece to attach IR Illuminator
 ANAM000029 – Camera Adapter #46
 ANAM000006 – Universal Camera Adapter #45 - Fully-Adjustable Video/ Photo Camera Adapter
 ANKIXLR017 – IR850-XLR Detachable Extra Long Range Infrared Illuminator w/Dovetail to Weaver Transfer Piece #21, Rechargeable Battery, and Charger
 ANAF18XXLR – IR850XLR Afocal Doubler - Enhances performance of IR850-XLR
 ANHC000001 – Hard Shipping/ Storage Case #101



FLIR OUTDOOR & TACTICAL SYSTEMS

9 Townsend West,
Nashua, NH 03063

Phone: 1-888-959-2259
or (603) 324-7600
Fax: 1-888-959-2260

FLIR PRODUCT REPAIR CENTER

email: US_CBUrepair@flir.com
Register on: customer.flir.com

ORDER PLACEMENT, RETURN TO STOCK & INQUIRIES

email: OTS-Orders@flir.com

PRODUCT REGISTRATION

flir.com/support-center/support-hq/

TECHNICAL SUPPORT

email: US_CBUsupport@flir.com

www.flir.com
NASDAQ: FLIR

Equipment described herein may require US Government authorization for export purposes. Diversion contrary to US law is prohibited. Imagery for illustration purposes only. Specifications are subject to change without notice, check our website: www.flir.com
©2018 FLIR Systems, Inc. All rights reserved.
Updated 11/22/2018

18-2269-OTS



The World's Sixth Sense™