



## NIGHT VISION CLIP-ON SYSTEM

# FLIR CO-LR-LRF®

The FLIR CO-LR-LRF (Clip On – Long Range) is a night vision unit that mounts in front of an existing day scope, and converts the day scope to night vision capability up to ranges of 1000 yards. The CO-LR-LRF can be mounted/dismounted on a standard Picatinny rail in seconds, with no tools required. Because the CO-LR-LRF is mounted in front of your day scope, the shooters' eye relief is not altered, and shot release and follow through all remain intuitive. Because the unit is factory bore-sighted to better than 1MOA accuracy, no alteration in zero is experienced, so it is as simple as mount-focus-shoot, just as it would be in day time.

[www.flir.com](http://www.flir.com)



### INTEGRATION WITH DAY SCOPE

The CO-LR-LRF is designed to mount in front of an existing day scope and extends the useful period of operation from daylight into nighttime.

- Quick conversion of daytime scope to night vision with no set-up changes
- Recommended for use with day scopes of up to 10x magnification
- IR850-XLR detachable long range infrared illuminator included



### ROBUST, RUGGED DESIGN

Machined from aircraft aluminium.

- Controls and adjustments are simple and easy to operate
- Manual gain control
- Powered by a single CR123A Lithium or AA battery
- Wireless remote control



### FLEXIBLE MOUNTING OPTIONS

The CO-LR-LRF can be mounted in seconds without tools.

- Quick-release Picatinny mount that allows for highly accurate rail positioning
- Picatinny rail for accessories

## SPECIFICATIONS

General		CO-LR-LRF
Image intensifier tube		GEN 2+ or GEN 3
Magnification		Unity (1x)
Lens system		108mm, F/1.54
FOV		9°
Focus range		10 m to infinity
Exit pupil		40 mm
User Interface		
Operation switch		On/ Off/ Standby Mode
Gain control knob		Adjusts the image brightness
Remote control button		Activates/deactivates the clip-on in Standby mode
Focus knob		Focuses the objective lens
Battery indicator		Indicates low battery
System Specifications		
Manual gain control		Yes
Bright light cut-off		Yes
Automatic shut-off system		Yes
Low battery indicator		Yes
Infrared illuminator		Yes (IR850-XLR Detachable Extra Long Range IR Illuminator)
Remote control		Yes (wireless)
Power		
Battery type		Single AA (1.5V) or CR123A (3V)
Battery life (operating)		Up to 45 hrs at 20°C
Environmental		
Operating temperature range		-40°C to +50°C (-40°F to +122°F)
Storage temperature range		-50°C to +50°C (-58°F to +122°F)
Physical		
Weight		0.91 kg (2.0 lbs)
Overall dimensions		240 × 97 × 87 mm (9.4 × 3.8 × 3.4 in)
Dimensions without lens caps		230 × 97 × 87 mm (9.1 × 3.8 × 3.4 in)
Weapon mount type		Picatinny, MIL-STD-1913, or Weaver rails
Height of the scope axis above rail		40 mm (1.57 in)
Color (housing)		Black

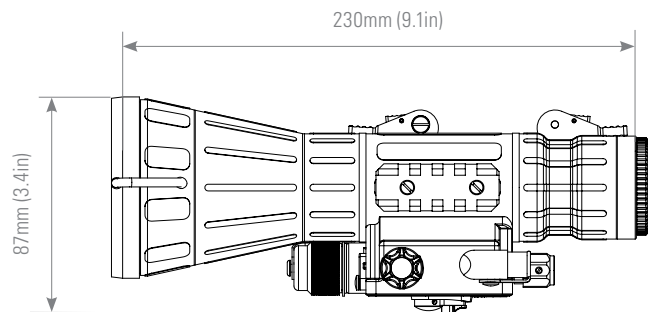
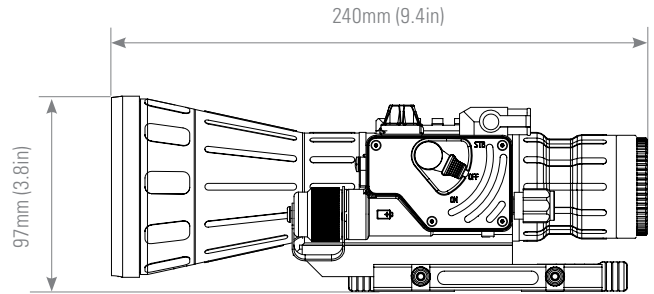
Specifications are subject to change without notice.  
For the most up-to-date specs, go to [www.flir.com](http://www.flir.com)

## Package Includes

Night Vision Clip-On System, Lens Cap, Light Suppressor, Special Wrench, Battery Adapter, IR850-XLR Long Range IR Illuminator, Wireless Remote Control with Picatinny Adapter, Operation and Maintenance Manual, Soft Carrying Case, Lens Cloth

## Optional Accessories

ANAF18XXLR – IR850XLR Afocal Doubler (enhances performance of IR850-XLR)  
ANAM000021 – FSRS (Front Scope Rail System) #38 (mounts clip-on system to firearm)  
ANAM000045 – Extended Rail Adapter #85 - Dovetail Weaver Picatinny Rail Adapter (extends scope base)  
ANH000004 – Hard Shipping/ Storage Case #102



### FLIR OUTDOOR & TACTICAL SYSTEMS

9 Townsend West,  
Nashua, NH 03063

Phone: 1-888-959-2259  
or (603) 324-7600  
Fax: 1-888-959-2260

### FLIR PRODUCT REPAIR CENTER

email: [US\\_CBUrepair@flir.com](mailto:US_CBUrepair@flir.com)  
Register on: [customer.flir.com](http://customer.flir.com)

### ORDER PLACEMENT, RETURN TO STOCK & INQUIRIES

email: [OTS-Orders@flir.com](mailto:OTS-Orders@flir.com)

### PRODUCT REGISTRATION

[flir.com/support-center/support-hq/](http://flir.com/support-center/support-hq/)

### TECHNICAL SUPPORT

email: [US\\_CBUsupport@flir.com](mailto:US_CBUsupport@flir.com)

[www.flir.com](http://www.flir.com)  
NASDAQ: FLIR

Equipment described herein may require US Government authorization for export purposes. Diversion contrary to US law is prohibited. Imagery for illustration purposes only. Specifications are subject to change without notice, check our website: [www.flir.com](http://www.flir.com)  
©2018 FLIR Systems, Inc. All rights reserved.  
Updated 11/22/2018

18-2280-OTS



The World's Sixth Sense™