



**PORTABLE, LONG-RANGE, PAN/TILT  
MULTI-SENSOR WITH SPOTLIGHT**

## FLIR Ranger MS-LRTI™

The Ranger MS-LRTI™ deterrence system builds on the impressive capabilities of the Ranger MS-UC DefendIR™. Equipped with a day/low-light CCD camera and cooled InSb thermal imager, the Ranger MS-LRTI adds a high-power spotlight to detect, deter, and temporarily disorient intruders. The 12 million candlepower spotlight can illuminate trespassers within a one-mile radius. With continuous thermal optical zoom, the Ranger MS-LRTI meets the requirements for any mission, from wide-area surveillance to long-range threat identification.

A pan-tilt design capable of 360° continuous panning, -72° to 66° tilt, and ruggedized to withstand temperatures from -15°C to 60° C, LRTI is easy to integrate out of the box. Tap into existing fiber, wireless, or IP networks, or interface with VMD, radar, UGS, or other trigger sensors for a slew-to-cue solution. Multiple lens options are available to customize field of view and detection range. LRTI provides 24/7 perimeter security and surveillance in virtually any environment.

### FEATURES

#### MAXIMIZE THREAT DETECTION AND ASSESSMENT

Overlay visible camera video onto 640x512 cooled thermal imagery with continuous 2° to 30° FOV optical zoom in real time.

#### Non-lethal Deterrence

The illuminator's 12-MCP spotlight temporarily disorients intruders and alerts unwanted traffic to steer clear of restricted areas.

#### PTZ in a Ruggedized Housing

With continuous zoom, tilt, and 360° pan—and sealed to MIL-STD-810, NEMA 4, and IP66 specifications—LRTI is ready for covert or non-covert deployment.

#### Covert Surveillance

An 850-nm spotlight filter provides visibility through windows without alerting threat that they are under surveillance.

#### Turnkey Integration

Connect to existing fiber, wireless, or IP networks and with VMD, radar, UGS, or other trigger sensors for powerful "slew-to-cue."

### APPLICATIONS

FORCE PROTECTION

BORDER SURVEILLANCE

TACTICAL RECONNAISSANCE

TRAINING RANGE APPLICATIONS

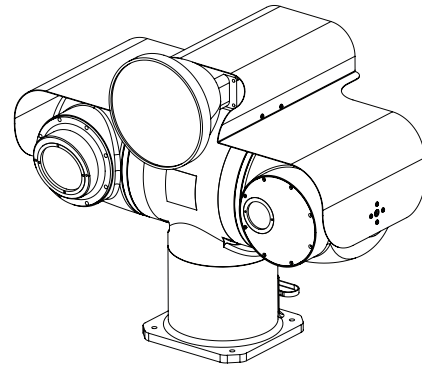
FIXED AND MOBILE SECURITY

TARGET TRACKING

LONG RANGE SURVEILLANCE

## SPECIFICATIONS

RANGER® MS-LRTI	
Video Output	RS-170 (NTSC) or CCIR (PAL)
Serial Interface	RS-422 and 10/100 Ethernet
Operating Temperature	-15° to +60° C
Environmentally Sealed	MIL-STD-810, NEMA 4 & IP66
Pan & Tilt Slew Rate	0.1 to 30°/sec controlled
Elevation Control	+66°/-72°
Azimuth Control	Continuous 360°
Pointing Accuracy & Repeatability	Pan ± 0.25°, Tilt ± 0.1°
Power Input	24 VDC ± 20%
Power Consumption	Spotlight off: 22W Nominal (25W with Heaters) / 45W Maximum Spotlight on: 140W Nominal / 240W Maximum
Weight	33 lbs (15kg)
Thermal Camera	
Detector	Cooled 640x512 InSb 15 µm
Frame Rate	30 Hz
Resolution	640 x 512
Spectral Response	MWIR (3-5µm)
IR Lens	19-275mm, 2 to 30 degree field of view with continuous optical zoom
IR Digital Zoom	Continuous 1x to 4x
Focus	Motorized Remote focus
Gain / Level Controls	Automatic or manual
CCD Camera	
CCD Lens	3.5mm (Wide FOV 42°), 91mm (Narrow FOV 1.6°)
Image Stabilization	Optional
Zoom	Optical: 26x, Digital: 12x, Total: 312x
Minimum Illumination	2.0 lux at 1/60 sec (NTSC), 0.14 lux at 1/4 sec (NTSC)
Starlight Mode	0.7 lux at 1/60 sec (NTSC), 0.05 lux at 1/4 sec (NTSC)
Spotlight	
Beam Width	Adjustable, 1° to 40°, By commands or Slaved
Light Output	12 MCP (Million Candle Power)
Illumination Range	1 lux on target at up to 1.5 miles (2.4 km), 850nm filter option



### AMERICAS

FLIR Systems, Inc.  
Corporate Headquarters  
27700 SW Parkway Ave  
Wilsonville OR 97070  
Office: +1 877.773.3547

FLIR Systems, Inc.  
DC Headquarters  
1201 S. Joyce Street  
Suite C006  
Arlington, VA 22202  
Office: +1 703.682.3400

### EUROPE

FLIR Systems  
2 Kings Hill Avenue - Kings Hill  
West Malling, Kent ME19 4AQ  
United Kingdom  
Office: +44 (0)1732 220 011  
Fax: +44 (0)1732 843 707

FLIR Systems AB  
Antennvägen 6,  
PO Box 737  
SE-187 66 Täby  
Sweden  
Office: +46 (0)8 753 25 00

### MIDDLE EAST

FLIR Systems B.V. - Abu Dhabi  
Wadi Al Fey St.  
Building 60, Office # 302  
New Ministries Exit / Khalifa Park Area  
Abu Dhabi, U.A.E.  
Office: +971 2 666 1561  
e-Fax: +1 503 914 1591

FLIR Systems Saudi Arabia  
Office 127, First Floor  
Akaria Plaza Building, Olaya Street  
Riyadh, 11481, Saudi Arabia  
Office: +966 11 464 5323  
Fax: +966 11 464 0438

### ASIA

FLIR Systems Japan K.K.  
Meguro Tokyu Bldg. 5F,  
2-13-17  
Kami-Osaki, Shinagawa-ku.  
Tokyo, 141-0021, Japan  
Office: +81-3-6721-6648



For More Information contact  
[surveillance\\_sales@flir.com](mailto:surveillance_sales@flir.com)

[www.flir.com](http://www.flir.com)  
NASDAQ: FLIR

Equipment described herein is subject to US export regulations and may require a license prior to export. Diversion contrary to US law is prohibited. Imagery for illustration purposes only. Specifications are subject to change without notice. ©2019 FLIR Systems, Inc. All rights reserved. 04/08/19

18-0682-SUR-LND-LRTI-SpecsheetLTR



The World's Sixth Sense®