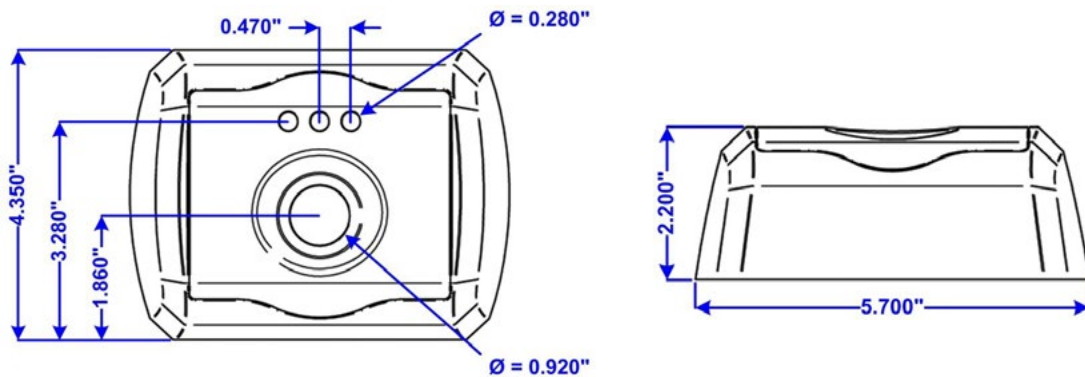


FLIR *BRICKSTREAM*[®] 2D Surface Mount



The **SM-1AW** is a two-piece plastic mount intended for surface mounting Brickstream 2D video analytics appliances. Used in mounting applications where no tilt is required, the main housing of the SM-1AW is affixed to the ceiling by four screws (not included). After snapping the 2D into the main housing, the finishing cover is snapped into place leaving only the 2D's lens and status LEDs exposed.



Atlanta Office:
FLIR Integrated Imaging Solutions Inc.
2 Sun Court NW
Suite 400
Norcross, GA 30092
T: +1-866-274-2578
T: +1-404-745-3005

Americas:
Sales Inquiries:
david.cereijo@flir.com
Phone: +1 443-722-5044

EMEA:
Sales Inquiries:
stefan.eichblatt@flir.com
Phone: +49 30 4432 7777

APAC:
Sales Inquiries:
justin.thing@flir.com
Phone: +65 3157 1750

China
Sales Inquiries:
jasmine.xue@flir.com
Phone: +86-21-6165 2218

©2017 FLIR® Integrated Imaging Solutions Inc. All rights reserved.
Names and marks appearing on the products herein are either registered trademarks or trademarks of FLIR® Systems, Inc. and/or its subsidiaries.