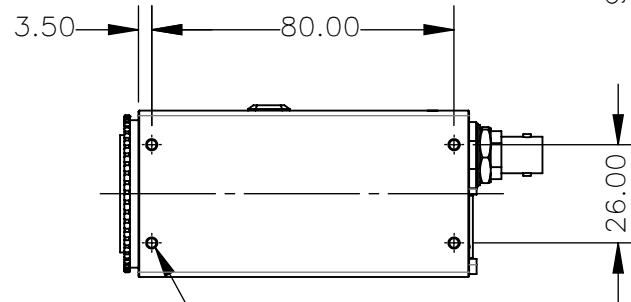
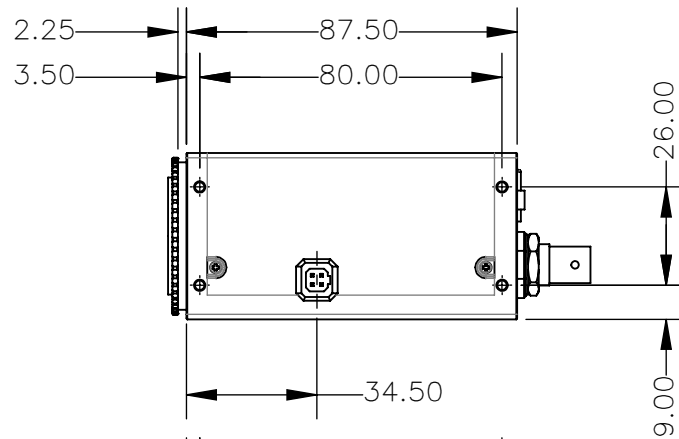
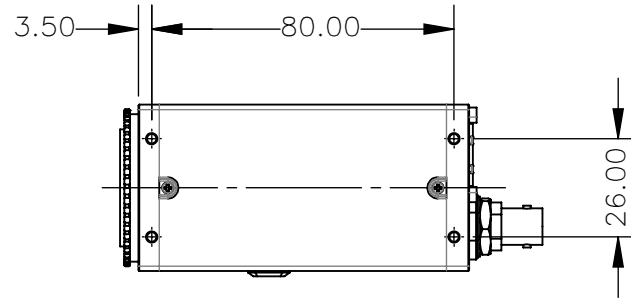
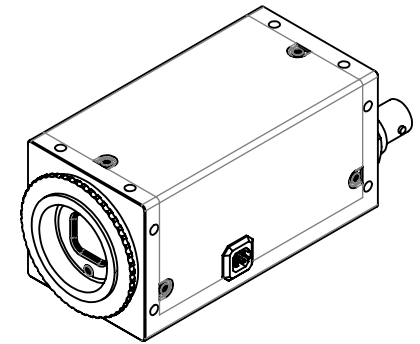
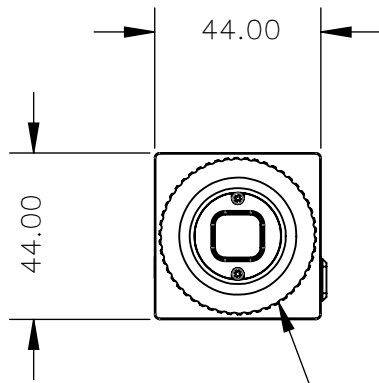


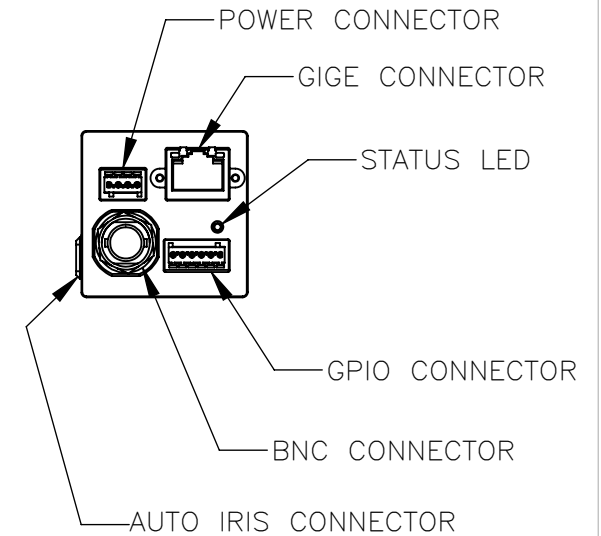
REVISIONS			
REV.	DESCRIPTION	DATE	DONE BY
0	INITIAL RELEASE	06.SEP.12	GUS



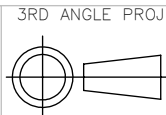
16x M3x0.5  $\nabla$  3.5



ADJUSTABLE CS-MOUNT  
+1.4MM/-1.1MM



PROPRIETARY AND CONFIDENTIAL  
THE INFORMATION CONTAINED IN THIS DRAWING  
IS THE SOLE PROPERTY OF POINT GREY  
RESEARCH INC. ANY REPRODUCTION IN PART OR  
WHOLE WITHOUT THE WRITTEN PERMISSION OF  
POINT GREY RESEARCH INC. IS PROHIBITED.



TOLERANCES  
X.X ±0.3  
X.XX ±0.10  
X.XXX ±0.020  
ANGLES ±0.5°

UNLESS OTHERWISE  
STATED:  
ALL DIMENSIONS IN MM  
MACHINE FINISH 1.6μM

SCALE DWG NO  
1:2 ZB2-001-R0  
SIZE TITLE  
A ZEBRA2

SHEET REV  
1 OF 3 1