

CM-BKBX-31 Backbox Kit for Mini-Dome Camera

Installation Guide

1. Product Overview

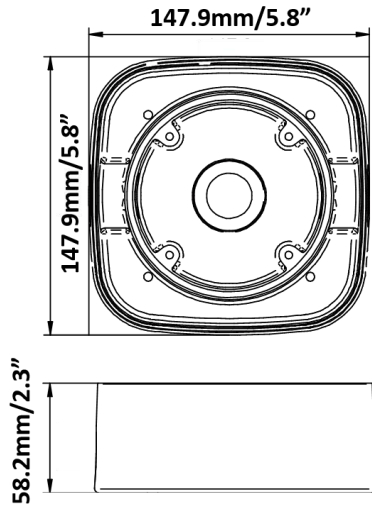


FIGURE 1-1: BACKBOX DIMENSIONS

The Backbox is used to connect the mini-dome camera to the mounting surface.

2. Installation and Mounting

Package Content

Check if everything in the package matches your purchase order form and packing slip. The package should include the following items:

- 1x Backbox
- 2x M4x15L screws
- 1x Printed quick guide

Please contact your dealer if any item is missing.

Required Tools

Use the following tools to complete the installation.

- A Phillips head screwdriver
- A T20 torx wrench
- Wire cutters

- 1 After feeding, connecting and waterproofing the cable, attach the dome camera body to the Backbox by tightly fastening the two M4x15L screws.

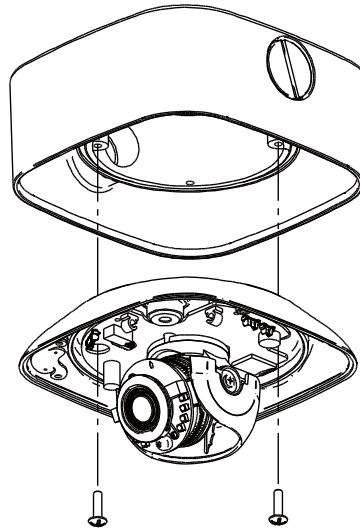


FIGURE 2-1: ATTACH CAMERA BODY TO BACKBOX

- 2 Attach the top cover to the camera body. Open the rubber tab on each side of the top cover. Then use the T20 torx wrench to fasten the screw inside each niche of the cover.

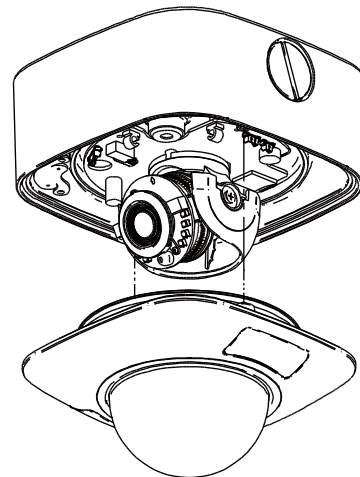


FIGURE 2-2: ATTACH TOP COVER TO CAMERA BODY

- 3 The dome camera and the Backbox are fully assembled.

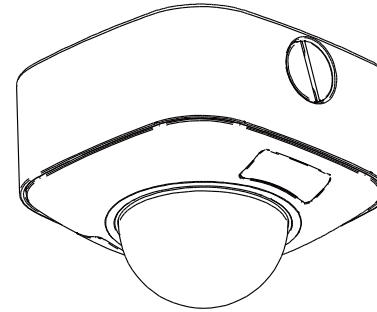


FIGURE 2-3: COMPLETED ASSEMBLY

3. Specification

Material	Aluminum
Color	White
Dimensions	147.9 x 147.9 x 58.2mm (5.8 x 5.8 x 2.3")
Weight	720g (25.4 oz.)