

CM-CAPX-31 Pendant Mount for Mini-Dome Camera

Installation Guide

1. Product Overview

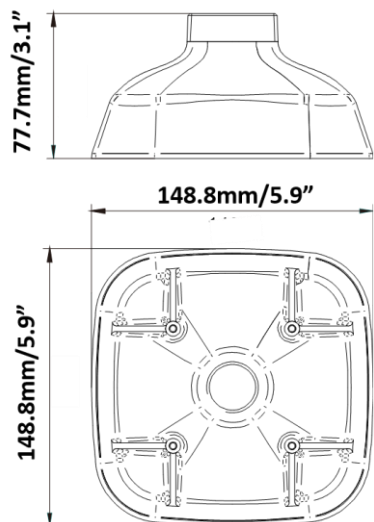


FIGURE 1-1: PENDANT MOUNT DIMENSIONS

The Pendant Mount is used to connect the mini-dome camera to a wall-mount pipe.

2. Installation and Mounting

Package Contents

Check if everything in the package matches your purchase order form and packing slip. The package should include the following items:

- 1x Pendant mount kit
- 1x Printed quick guide
- 2x M4x15L screws

Please contact your dealer if any item is missing.

Required Tools

Use the following tools to complete the installation:

- A Phillips head screwdriver
- A T20 torx wrench
- Wire cutters

- 1 Feed the cable to the pendant mount through a pipe with a 3/4" NPT thread or a pipe with a 1-1/2" NPT thread that is attached to the wall bracket. Then rotate the pendant mount counter-clockwise on the 3/4" NPT thread pipe.

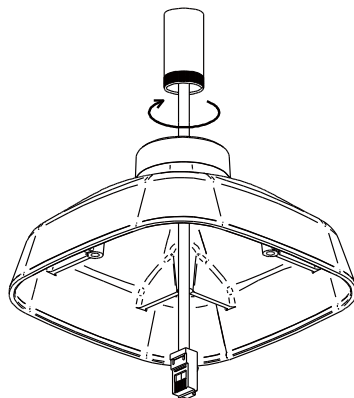


FIGURE 2-1: ASSEMBLING PIPE AND PENDANT MOUNT

- 2 Connect the cable. Then attach the camera body to the pendant mount by tightly fastening the two M4x15L screws to the pendant.

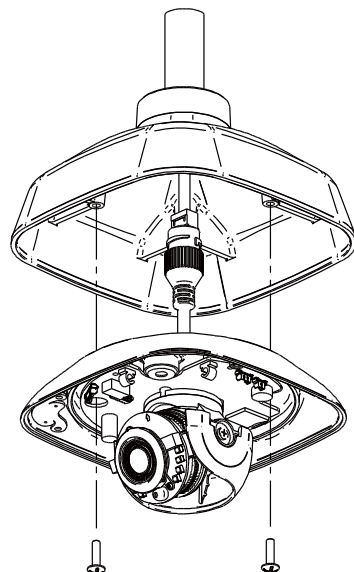


FIGURE 2-2: ATTACH CAMERA BODY TO PENDANT MOUNT

- 3 Attach the top cover to the camera body. Open the rubber tab on each side of the top cover. Then use the T20 torx wrench to fasten the screw inside each niche of the cover.

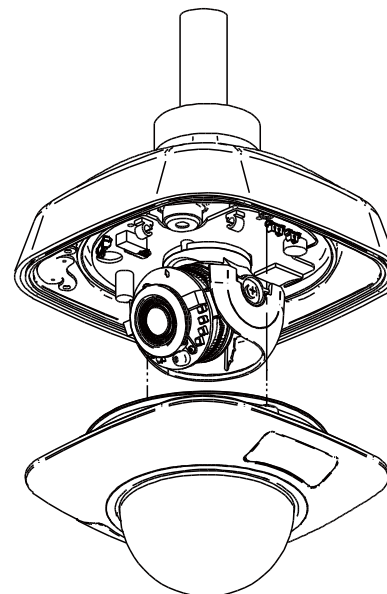


FIGURE 2-3: ATTACH TOP COVER TO CAMERA BODY

- 4 The dome camera and pendant mount are fully assembled attached to the pipe as illustrated below.

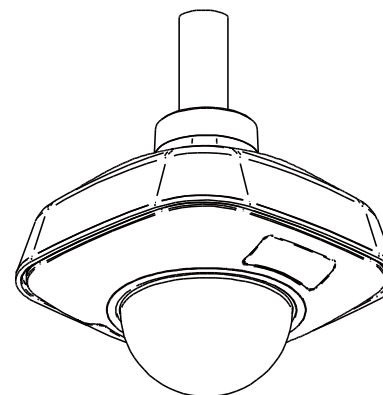


FIGURE 2-4: COMPLETED ASSEMBLY

3. Specification

| | |
|------------|--|
| Material | Aluminum |
| Color | White |
| Dimensions | 148.8 x 148.8 x 77.7mm (5.9 x 5.9 x 3.1") |
| Weight | 310g (10.9 oz.) |