

Desiccant User Guide

Ariel CM-3304/CM-3308 Mini-Dome IP Camera



Desiccants prevent moisture from condensing on the camera's glass cover. Prior to installing the mini-dome camera, attach the desiccant (included inside the vacuum-sealed bag) to the camera body. Desiccants should be replaced each time the cover is opened. Follow the steps in this guide to replace the desiccants inside the camera.

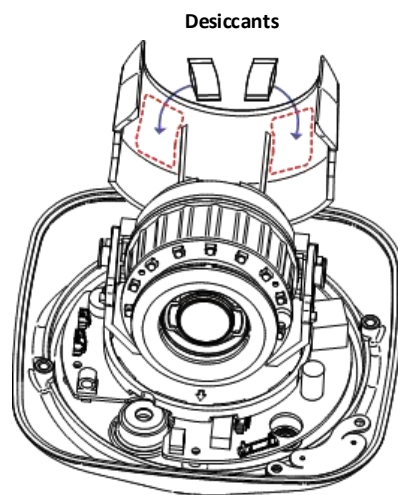
Note: Failure to follow the desiccant installation procedure may result in condensation or related damages to the camera functions.



Step 1: Unscrew the two screws on the bottom of the camera housing.

Step 2: Open the camera body by pulling apart both halves.

Step 3: Remove the used desiccants from inside the camera body.



Step 4: Carefully tear open the vacuum-packed aluminum desiccant bag along the slit on one edge. Remove the desiccant. Remove the paper backing of the double-sided tape on one side of the desiccant. Firmly place the desiccant on the spot as illustrated.

Note: After desiccants are replaced, reconnect the housing as soon as possible. Both mounts and conduits must be tightly sealed to prevent condensation in the camera. Otherwise, the desiccant will become damp and cannot be used.

Step 5: Close the camera body. Replace and tighten the screw. Replace and screw the sunshield onto the camera body. Mount the camera.

Notice: Failure in part or in whole of the installer, owner, or user in any way to follow the prescribed procedures or to heed warnings and cautions provided herein shall absolve FLIR Systems, Inc. and its agents from any resulting liability.

