

FLIR VUE™

QUICK START GUIDE

436-0002-12, Rev 100



The World's **Sixth Sense™**

www.flir.com/FLIRVUE

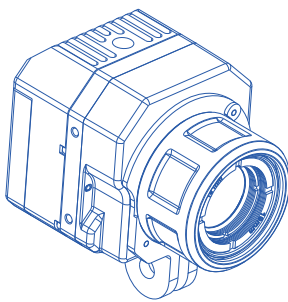
FLIR SYSTEMS, INC.

This quick start guide will help show how easy it is to get the plug-and-play FLIR Vue connected, running, and mounted. The FLIR Vue does not have an on or off switch. When power is applied the splash screen appears in about one second and IR video is shown in less than four seconds.

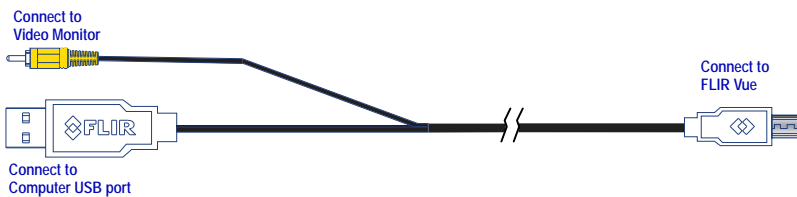
WHAT'S IN THE BOX?

FLIR Vue comes with the following components:

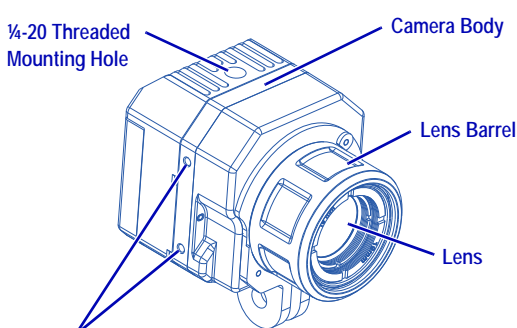
- FLIR Vue thermal camera



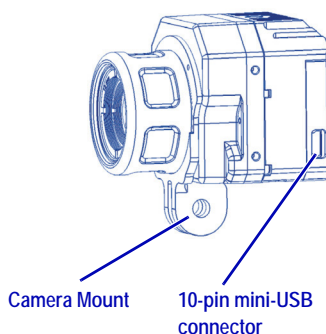
- Bench Cable—for connecting FLIR Vue to a computer with the FLIR Camera Controller GUI software and to a video monitor for testing and configuring camera options.



A QUICK TOUR



M2X0. threaded mounting holes on the camera's left side, right side, and bottom (mounting screws not included)

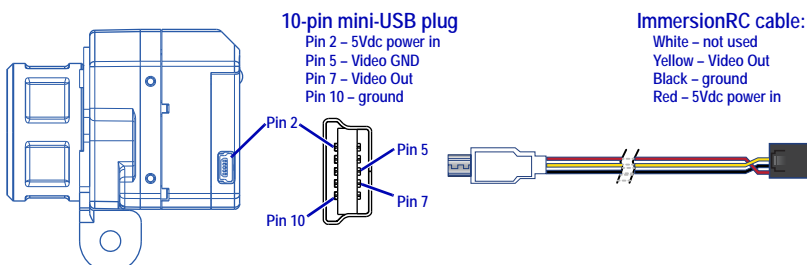


CONNECTING AND POWERING THE FLIR Vue

FLIR Vue is compatible with common 10-pin mini-USB cables that are used to provide power to, and get video from, action cameras commonly mounted on a small unmanned aerial system (sUAS). Refer to the camera [Interface Description Document \(IDD\)](#) located on the FLIR web page.

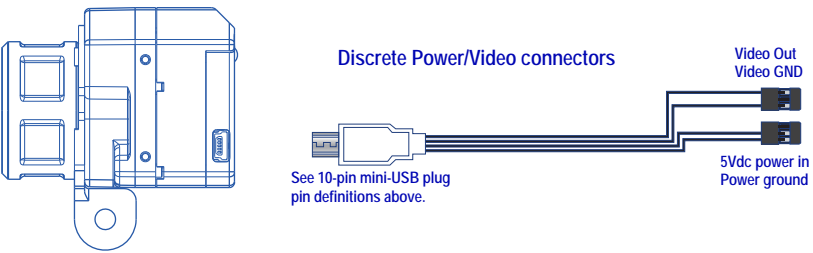
A couple of examples are shown below.

A number of vendors sell cables that are compatible with video transmitters from ImmersionRC, a brand of transmitter which supplies the 5Vdc power the FLIR Vue needs. Connect the ImmersionRC video transmitter per the manufacturer's instructions.



(Continued)

Another example of a compatible cable providing discrete connectors for power and video is shown below.



Simply plug the chosen cable into the mini-USB port on the FLIR Vue, connect the power plug to an appropriate regulated power supply, and the video plug to the video transmitter.

Caution on powering FLIR Vue:

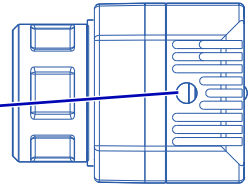
- **FLIR Vue does not have over-voltage or reverse polarity protection.** Only use a filtered, regulated 5Vdc power source with the FLIR Vue! Applying more than 6Vdc or reversing polarity will damage the camera and void the warranty.

MOUNTING FLIR Vue

FLIR Vue has a variety of mounting options.

¼-20 Insert

Screw a standard tripod ¼-20 bolt into the threaded insert located on the top surface of the camera. Do not exceed 6.35mm [0.25in] maximum depth or warranty is void.



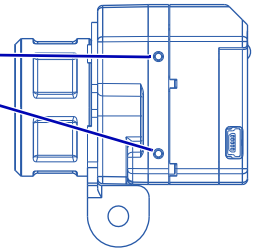
Side and Bottom Mounting Holes

FLIR Vue has two threaded mounting holes on each side, as well as on the camera bottom.

These threaded holes, 24mm (0.945in) apart, accept M2x0.4 screws (not included).

Do not exceed 4.0mm [0.157in] maximum depth or warranty is void.

Refer to the [IDD](#) for additional mounting information.



CAMERA MOUNT

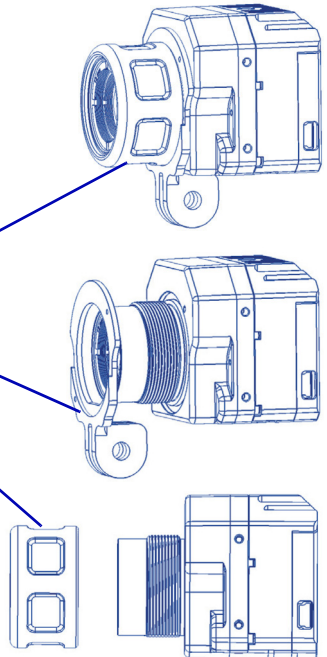
The included Camera Mount can be used with a standard action camera mount. If a different mounting option will be used, it can be removed using the following steps:

Unscrew the Lens Barrel

Slide the Camera Mount off

Screw the Lens Barrel back on

When installing the Camera Mount, be sure to engage the two alignment pins with the corresponding holes on the camera body.



FLIR sUAS CAMERA CONTROLLER GUI

FLIR Vue provides high quality thermal imaging with just the default settings. If mounting the FLIR Vue upside down reorient the image in the Camera Controller GUI. Use the GUI to make any changes to video format, image orientation, scene or colonization options. Download the GUI for free at: www.flir.com/flirvue. Scroll down to the "DOWNLOAD THE GUI" link; fill in and submit the form to receive an email with a download link.

CARE OF FLIR Vue

FLIR Vue is a durable, easy to use camera that should give years of reliable performance. There are just a couple of things to be aware of:

- Only power FLIR Vue with a regulated 5Vdc power source. Using more than 6Vdc will damage the camera and void the warranty.
- Do not touch the lens. If the lens gets dirty, clean it off with warm, soapy water and a soft cotton cloth. Do not clean with ammonia-based solutions as they will degrade the special coating on the lens.
- FLIR Vue is neither water nor dust resistant. Care for it as you would any valuable piece of electronics equipment.



The World's **Sixth Sense**™

www.flir.com/FLIRVUE

FLIR SYSTEMS, INC.
436-0002-12, Rev 100